



Ordering Information

NTSC Models

KPC-N501NUB	2.8~12mm VF Black
KPC-N501NUW	2.8~12mm VF White

PAL Models

KPC-N501PUB	2.8~12mm VF Black
KPC-N501PUW	2.8~12mm VF White

Resolution 960

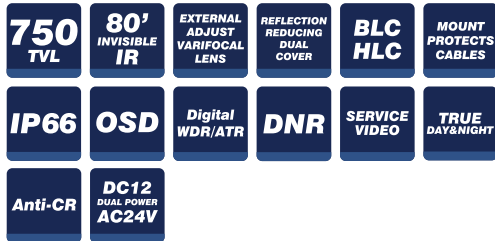


Resolution 960 Series 750+HTVL
Invisible IR True D/N Dual Voltage
IP66 Bullet Camera

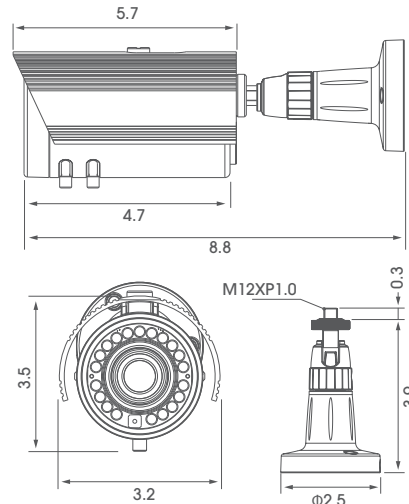
Resolution 960

KPC-N501

Resolution 960 Series 750+HTVL
Invisible IR True D/N Dual Voltage
IP66 Bullet Camera



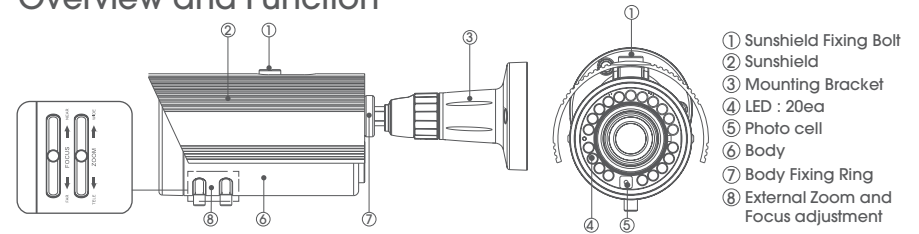
General Feature Diagram (Unit: inch)



Key Features

- Superlative resolution of over 750 horizontal TV lines for amazing image quality
- EXview HAD 960H CCD II for high sensor IR sensitivity
- Varifocal 2.8~12 mm DC iris lens to capture the desired field of view
- True Day/Night, 20 Invisible IR LEDs (82 feet or more depending on scene reflectivity)
- "Invisible" (940 nm) IR LEDs cannot be seen by the human eye
- Reflection preventing dual section cover glass isolates IR emitters from lens to prevent image distortion
- Simple and easy to use OSD setup menu
 - Adaptive Tone Curve Reproduction (ATR)
 - Electronic Wide Dynamic Range to properly expose images during unbalanced light contrast in the scene
 - Anti Color Roll white balance option resists fluorescent light interference
 - Optional Back Light Compensation (BLC) and Highlight Compensation (HLC)
 - Adjustable 2D-Noise Reduction to increase picture clarity and improve utilization of DVR disk storage
 - Privacy image masking for 4 configurable zones
- Dual voltage (12V DC / 24V AC) with Anti Color Roll
- IP66 (Weather Resistant)
- Extreme Operating temperature down to -40 degrees
- External lens adjustment and service Video output for convenient installation, and ease of service
- 3-axis bracket conceals and protects cable
- Five year warranty

Overview and Function



- ① Sunshield Fixing Bolt
- ② Sunshield
- ③ Mounting Bracket
- ④ LED : 20ea
- ⑤ Photo cell
- ⑥ Body
- ⑦ Body Fixing Ring
- ⑧ External Zoom and Focus adjustment

Technical Specification

Model	N501NU	N501PU
Imaging Device	1/3" Sony Exview HAD II 960H High Sensitivity Interline CCD	
Video Format	NTSC	PAL
Picture Elements	1020 (H) x 508 (V)	1020 (H) x 596 (V)
Effective Picture Elements	976 (H) x 494 (V)	976 (H) x 582 (V)
Horizontal Resolution	More than 750 TVL	
Sensitivity	0 lux with Invisible* IR on 0.0001 lux native from sensor – no ghosting	
Invisible* IR LEDs	20 LEDs with output at 940 nm *IR illuminators operating at 940nm cannot be seen by the human eye.	
Invisible* IR Range	82 feet or more (depending on scene Invisible IR reflectivity)	
Invisible* IR Switch Points	On at ~1 lux; Off at ~3 lux	
S/N Ratio	Over 50dB (AGC off)	
Video Output	BNC 1.0V p-p 75 Ω; video test point inside dome, cable supplied	
Picture Adjust	Gamma 0.45 nominal; adjustable brightness, contrast, saturation, hue and gain	
Lens Type	Varifocal 2.8~12 mm Megapixel DC Iris Type	
Positioning	Flexible positioning for wall or ceiling mounting	
Back Light Compensation	OFF / BLC / HSBLCL Selectable	
Auto Gain Control	Low light auto, Bright light auto, Manual selectable	
Electronic Shutter	1/60 ~1/100,000 sec.	
White Balance	ATW / One Push / User1 / User2 / Anti-Color Roll / Manual / Push Lock	
Sync. Mode	Internal (plus Anti-Chroma Crawl White Balance option above)	
Day & Night	True D/N with motorized Invisible IR cut filter; Choose Color, B/W, Auto	
OSD Menu	Multiple functions	
OSD Languages	English, Spanish, Portuguese, German, Russian, Japanese, Chinese, French	
2D-DNR	On/Off (level adjustable)	
Adaptive Tone Curve Reproduction/ Electronic WDR (ATR)	On/Off (3 levels each adjustable for luminance and contrast)	
Mirror	Off/On	
Motion Detection	Off/On for 4 selectable zones (On screen indication on alarm)	
Privacy Mask	Off/On for 4 selectable zones	
Power Source	12V DC / 24V AC	
Power Consumption	12V DC: max. 360mA / 24V AC: max. 4.9W	
Operating Temperature	-40 °F ~ 122 °F (-40 °C ~ 50 °C)	
Storage Temperature	-4 °F ~ 140 °F (-20 °C ~ 60°C)	
Environmental	IP66 (Weather Resistant)	
Mechanical	Metal housing with sun shield; rear weather sealed rear access port for OSD menu and video test point	
Dimensions	Body alone (across sunshield): 3.23" diameter/5.12" long ; 8.72" in line, longest extension; in 90° position, ~8.25" long and ~5.4" high	
Weight	1.55 lbs (0.7 kg)	
Certifications	CE / FCC / ROHS	
Warranty	5 years	