

KPC-LP751NU

750TVL License Plate Camera

www.ktncusa.com

- 750TVL Horizontal Resolution
- $f = 5 \sim 50$ mm, Varifocal
- IP67 (Water Resistant)
- 10 High Power LEDs
- Vehicle Speed Up to 75 mph (120 km/h)
- 1/3 " 960H SONY EXview HAD CCD II
- AC 24 V Power

Resolution
960



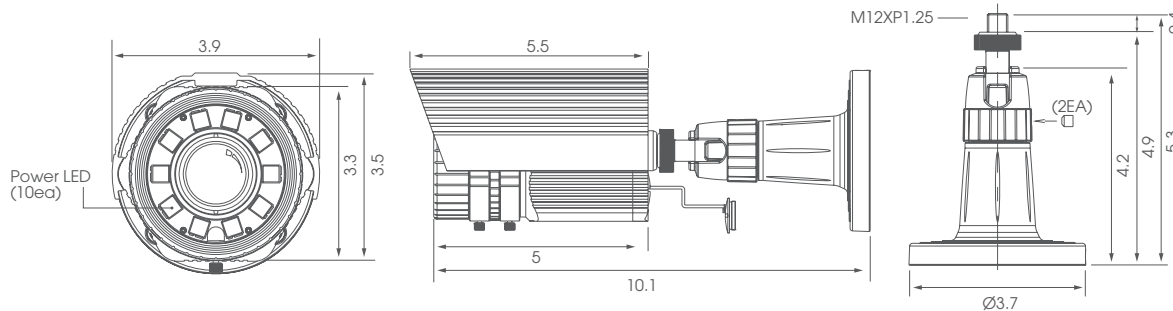


Resolution 960

- 750TVL Horizontal Resolution
- f = 5 ~ 50 mm, Varifocal
- IP67 (Water Resistant)
- 10 High Power LEDs
- Vehicle Speed Up to 75 mph (120 km/h)
- 1/3 " 960H SONY EXview HAD CCD II
- AC 24 V Power



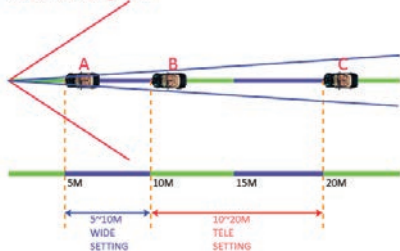
General Feature Diagram Unit: (inch)



Capture Zone

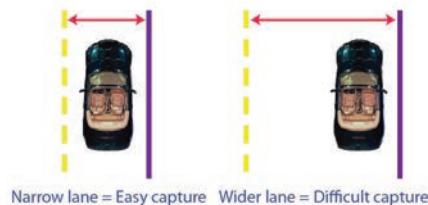
By narrowing the angle, user can enjoy longer capture distance.

TELE SETTING -7.4° @ f=50mm
WIDE SETTING -66.5° @ f=5mm



Lane Width

Narrow lanes = less variation in plate location
Wider lanes = more variation in plate location
Lens should cover entire width of the lane.
Ensure horizontal field of view is wide enough.



Camera Height



Height (ft)	Distance (ft)	Capture Distance
10	10	14
20	11	23
30	12	32
40	13	42
50	14	52

$$\text{Capture Distance (C)} = \sqrt{a^2 + b^2}$$

KPC-LP751NU

750TVL License Plate Camera

750 TVL	0 LUX 70m	IP67	CTB
OSD	IR VARIFOCAL	HEATER	AC24V

Technical Specification

Signal System	NTSC		
Image Sensor	1/3 " 960H SONY EXview HAD CCD II		
Scanning System	2:1 Interlace		
Horizontal Resolution	750TV Lines		
Scanning Frequency	15.734 KHz x 59.94 Hz (H x V)		
Total Pixels	Effective Pixels	1020 x 508 (H x V)	976 x 494 (H x V)
Synchronization	Internal		
Lens	5 ~ 50 mm		
Lens Type	Varifocal Lens		
Video Output Level	1.0 Vp-p Composite (75 Ω)		
S/N	More Than 50 dB		
IR LED	Distance	10 High Power LEDs	16 ~ 65 ft
Shutter Speed	1/250 ~ 1/10,000 sec		
Vehicle Speed	Up to 75 mph (120 km/h)		
IP Rating	IP67 (Water Resistant)		
On-Screen Display (OSD)	Built-in with Joystick		
Mode	Installation / License Plate		
Freeze Time	N/A		
Negative Image	On / Off		
Operating Temperature	14 °F ~ 122 °F (-10 °C ~ 50 °C) (without Heater) -40 °F ~ 122 °F (-40 °C ~ 50 °C) (with Heater)		
Storage Temperature	-4 °F ~ 140 °F (-20 °C ~ 60 °C)		
Humidity	Less than 80% RH		
Power Supply	AC 24 V (±10%), Max. 20 W (IR & Heater On)		
Dimension	Weight	3.9 x 3.3 x 10.1 inch (98.6 x 83 x 257 mm) 3 lbs (1.37 Kg)	

Camera Angle

30 degrees of vertical and horizontal angle provides users to work with various surveillance environment.

