



ACE-EDR380NU

750TVL WDR Module Camera

www.ktncusa.com

- 750TVL Horizontal Resolution
- Pinhole, Board, DC IRIS Varifocal Lens, C / CS
- 1/3"960H SONY Double Scan Super HAD CCD II
- Min. Illumination of 0.08 Lux (Color) / 0.04 Lux (B/W)
- True Day & Night with ICR Mechanism
- 3D DNR / BLC / DSS / AGC / AWB
- DC 12 V Power



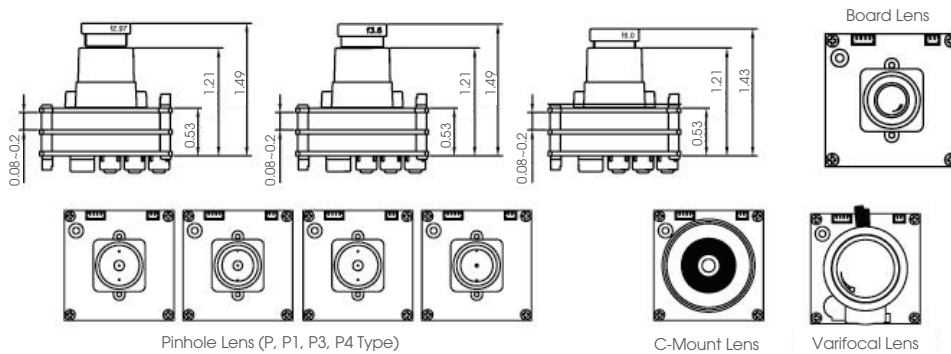
Resolution
960

Resolution 960

- 750TVL Horizontal Resolution
- Pinhole, Board, DC IRIS Varifocal Lens, C / CS
- 1/3"960H SONY Double Scan Super HAD CCD II
- Min. Illumination of 0.08 Lux (Color) / 0.04 Lux (B/W)
- True Day & Night with ICR Mechanism
- 3D DNR / BLC / DSS / AGC / AWB
- DC 12 V Power



General Feature Diagram Unit: (inch)



TYPE	Board Lens							Pinhole Lens			Varifocal (DC or DN)	C/CS Mount
	P1	P3	P4					P1	P3	P4		
Focal Length	2.45	2.95	3.6	6	8	12	16	3.7	3.7	4.3	4.0 ~ 9.0	C/CS Mount
Aperture	F2.0	F2.0	F2.0	F2.0	F2.0	F2.0	F2.0	F2.0	F2.0	F2.0	F1.6 ~ 360°	
Angle of View	150°	130°	92°	53°	40°	28°	19°	90°	90°	78°	98.0° ~ 38.0°	

Lens (mm)

ACE-EDR380NU

750TVL WDR Module Camera



Technical Specification

Signal System	NTSC		
Image Sensor	1/3" 960H SONY Double Scan Super HAD CCD II		
Scanning System	2:1 Interlace		
Horizontal Resolution	750TV Lines		
Scanning Frequency	15.734 KHz x 59.94 Hz (H x V)		
Total Pixels	Effective Pixels	1028 x 508 (H x V)	976 x 494 (H x V)
Synchronization	Internal		
Lens	Pinhole, Board, DC IRIS (IR Remove) Varifocal Lens, C / CS (DC / Video)		
Lens Type	Manual / DC Iris Lens		
S/N	More than 50dB (AGC Off, 3DNR On)		
Gamma	r = 0.45		
Min. Illumination	0.08 Lux (Color) / 0.04 Lux (B/W) (30 IRE@F1.2, AGC: High)		
Shutter Speed	1/60 ~ 1/100,000 sec		
Day & Night	True Day & Night with ICR Mechanism		
IR LED	Distance	N/A	
Day & Night Function	Auto, Color, B/W, EXT		
IP Rating	N/A		
Video Output Level	1.0 Vp-p Composite (75 Ω)		
On-Screen Display (OSD)	Built-in		
BLC	On / Off (Level adjustment, Area selection)		
DNR	3D DNR		
ATR	N/A		
White Balance	ATW, Push, Push-lock, Manual (R Gain, B Gain)		
Privacy Masking	15 Zones (Area adjustment)		
Mirror	Image reverse (Normal, H-Flip, V-Flip, HV-Flip)		
Motion Detection	On / Off (Level adjustable, Area adjustment)		
WDR	On / Off (Level adjustable)		
Digital Zoom Ratio	3x		
Digital Slow Shutter	Off, 2 ~ 128 Field		
Other Function	Freeze, Sharpness		
Language Option	English, Chinese, Russian, Spanish, German		
Operating Temperature	14 °F ~ 122 °F (-10 °C ~ 50 °C)		
Storage Temperature	-4 °F ~ 140 °F (-20 °C ~ 60 °C)		
Humidity	Less than 80 % RH		
Power Supply	DC 12 V (±10 %), Max. 170 mA		
External Control	A/D Key, RS-232C TTL (RS485 Option)		
Dimension	Weight	1.5 X 1.5 inch (38 x 38 mm) x 3 Board	0.1 lbs (35 g)